

## SolarInvert Energy Solutions

# What energy stations are there under N Djamena



## What energy stations are there under N Djamena

---



### N Djamena Energy Storage Battery Factory

Durable PV Panels Tailored for Mobile Container Systems Specially designed for solar containerized energy stations, our rugged photovoltaic panels offer optimal output and ...

[Get Started](#)

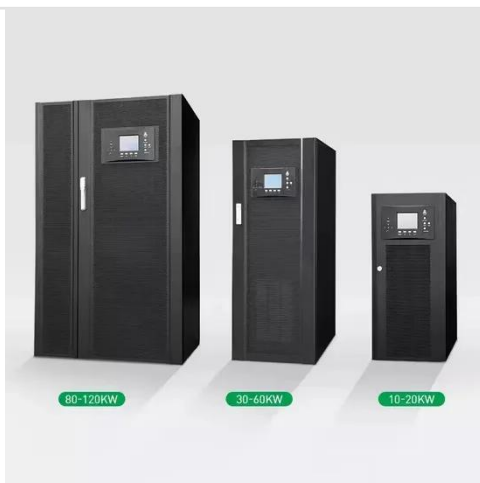
---

### N'Djamena power station

Jun 29, 2025 · N'Djamena power station is an operating power station of at least 22-megawatts (MW) in N'Djamena, Chad. The map below shows the approximate location of the power ...

[Get Started](#)

---



### OFF GRID ENERGY STORAGE N DJAMENA

What technologies are used in the energy grid? But feasibility in today's grid applications requires the application of the latest technologies. The main options are energy storage with flywheels ...

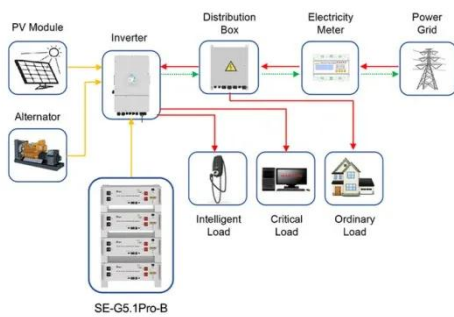
[Get Started](#)

---

## Savannah Energy - N'Djamena Renewable Energy Plants 200 MW - N'Djamena

Feb 1, 2023 · Unleash the full story: Dive deep into the Savannah Energy - N'Djamena Renewable Energy Plants 200 MW - N'Djamena project and gain access to vital information ...

[Get Started](#)



Application scenarios of energy storage battery products

## Chad's Air Pollution: Causes And Concerns

Mar 29, 2025 · Chad's air pollution is a growing concern. Learn about the major causes and how it impacts the environment and public health in this ...

[Get Started](#)

## N'djamena Energy Storage Cloud Valley: Powering the ...

a tech hub in the heart of Africa where cutting-edge energy storage solutions meet solar farms and wind turbines. That's N'djamena Energy Storage Cloud Valley for you.

[Get Started](#)



## New Energy Storage Revolution at the Port of N'Djamena: ...

a bustling African port where solar panels dance with desert winds while



battery arrays hum like well-fed camels storing water for dry days. This isn't science fiction - it's the reality taking ...

[Get Started](#)

---

## (PDF) Observation and Simulation of Available Solar Energy at N'Djamena

The objective of this work is to evaluate the available solar potential at N& #39;Djamena (12°08N, 15°04E) from 2017 to 2018. To achieve this goal, we used various datasets and model ...

[Get Started](#)



## n djamena energy conservation

Cathedrale de N''Djamena - Cathédrale Notre Dame de la Paix de N''Djamena L''archidiocèse de N''Djamena couvre une superficie de 654 000km2 et compte environ 4,6 millions d''habitants ...

[Get Started](#)

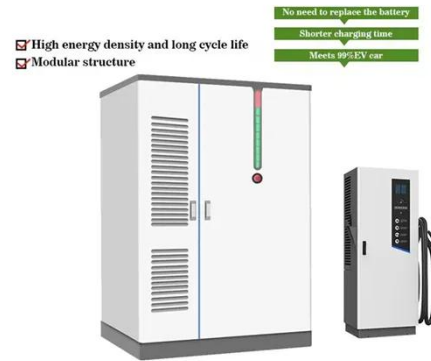
---

## N'Djamena Travel Guide: Tourist Attractions

Explore N'Djamena! A comprehensive

travel guide. Top sights and tourist attractions (N'Djamena Grand Mosque, Our Lady of Peace Cathedral, Chad ...

[Get Started](#)



### 3.1 Chad Fuel , Digital Logistics Capacity Assessments

Aug 7, 2025 · The N'Djamena Refining Company is 60% owned by CNPC and 40% by Chad through the SHT. SRN, whose construction cost is estimated at 1 billion US \$, was ...

[Get Started](#)

### N Djamena Energy Storage Battery Life

Durable PV Panels Tailored for Mobile Container Systems Specially designed for solar containerized energy stations, our rugged photovoltaic panels offer optimal output and ...

[Get Started](#)



### N'Djamena, Chad - Wildlife, Desert Landscapes ...

N'Djamena, the capital city of Chad, is a

unique destination that offers visitors a glimpse into the country's rich cultural heritage, stunning desert landscapes, ...

[Get Started](#)



## N djamena shared energy storage project

th of N "Djamena, the capital of Chad. The project content is to build a new 30 MW PV and 0 MW h energy storage PV power station. The project duration is 10 months and is exp

[Get Started](#)



## N'Djamena Diesel II , African Energy

If you require further analysis on a project or market African Energy can meet your needs with bespoke consultancy. For more information contact: [consult@africa-energy](mailto:consult@africa-energy) or +44 ...

[Get Started](#)

## photovoltaic energy storage device maintenance in n djamena

Another 100 MW of solar under

development in Chad Two 50 MW solar parks are planned to be built near N'Djamena, the country's capital. These facilities will sell power to the national ...

[Get Started](#)



## N djamena pumped storage power station

The recovery of rejected wind energy by pumped storage was examined by Anagnostopoulos and Papantonis for the interconnected electric power system of Greece, where the optimum ...

[Get Started](#)

## Farcha power station

Jun 30, 2025 · Farcha power station is an operating power station of at least 67-megawatts (MW) in N'Djamena, Chad with multiple units, some of which are not currently operating. The map ...

[Get Started](#)



## N Djamena Wind Power Energy Storage Project

CEEC signs a 30MW photovoltaic project in N'Djamena, Chad. It is reported that the project is located about 5 kilometers



south of the Chadian capital  
N'Djamena. The project content is to ...

[Get Started](#)

---

## Embassy of India, N'Djamena, Chad

Aug 19, 2025 · As the first Resident  
Ambassador of India to the Republic of  
Chad, I joined the Mission in N'Djamena  
20 months ago. Since establishment of  
the Embassy, high level ...

[Get Started](#)



## texas energy storage n djamena

The city of N'Djamena will be the main  
beneficiary of the Savannah Energy  
project. The British IPP has also signed  
an agreement with the Chadian  
authorities for the construction of a solar  
...

[Get Started](#)

---

## Chad

Sep 7, 2020 · Overview There are two  
primary ways for U.S. goods to enter  
Chad. The first is via Douala, Cameroon,

the nearest ocean port. Goods arrive by ship and are transported to Chad ...

[Get Started](#)



## Chad Minister's head rolls over failure of ...

Nov 8, 2023 · The sacking of energy minister Djerassem Le Bemadjiel has revealed the tensions within the transition regime over the electricity supply ...

[Get Started](#)

## Africa Electricity Grids Explorer

May 10, 2021 · The World Bank has created the Africa Electricity Grids Explorer as a way to navigate the most up to date collection of open data on grid networks in Africa and the Middle ...

[Get Started](#)



## Forecast of the electrical energy demand of N'Djamena, ...

Jan 25, 2023 · The forecast of the electrical energy demand of the



N'Djamena city, Chad, by 2032 has been studied using the statistical model based on the linear regression. The correlation

...

[Get Started](#)

## Home

N'Djamena Power Station 22 Kona  
Thermal Power Station 22 Kona Solar  
Power Station 22 Siti Hydroelectric  
Power Station 21.5 Rio Tinto Bayla Power  
Plant 21.1 Wartsila (Palmarejo) Power ...

[Get Started](#)



## n djamena hospital energy storage

What Is Energy Storage? , IBM Energy storage is the capturing and holding of energy in reserve for later use. Energy storage solutions for electricity generation include pumped-hydro storage, ...

[Get Started](#)

## The contribution of GIS applications in the management ...

Apr 16, 2024 · Abstract In the

management of service stations in the city of N'Djamena and in the concern to resolve their storage management, and their taming from the Djarmaya refinery.

...

[Get Started](#)



---

## Contact Us

---

For catalog requests, pricing, or partnerships, please visit:  
<https://persianasaranda.es>